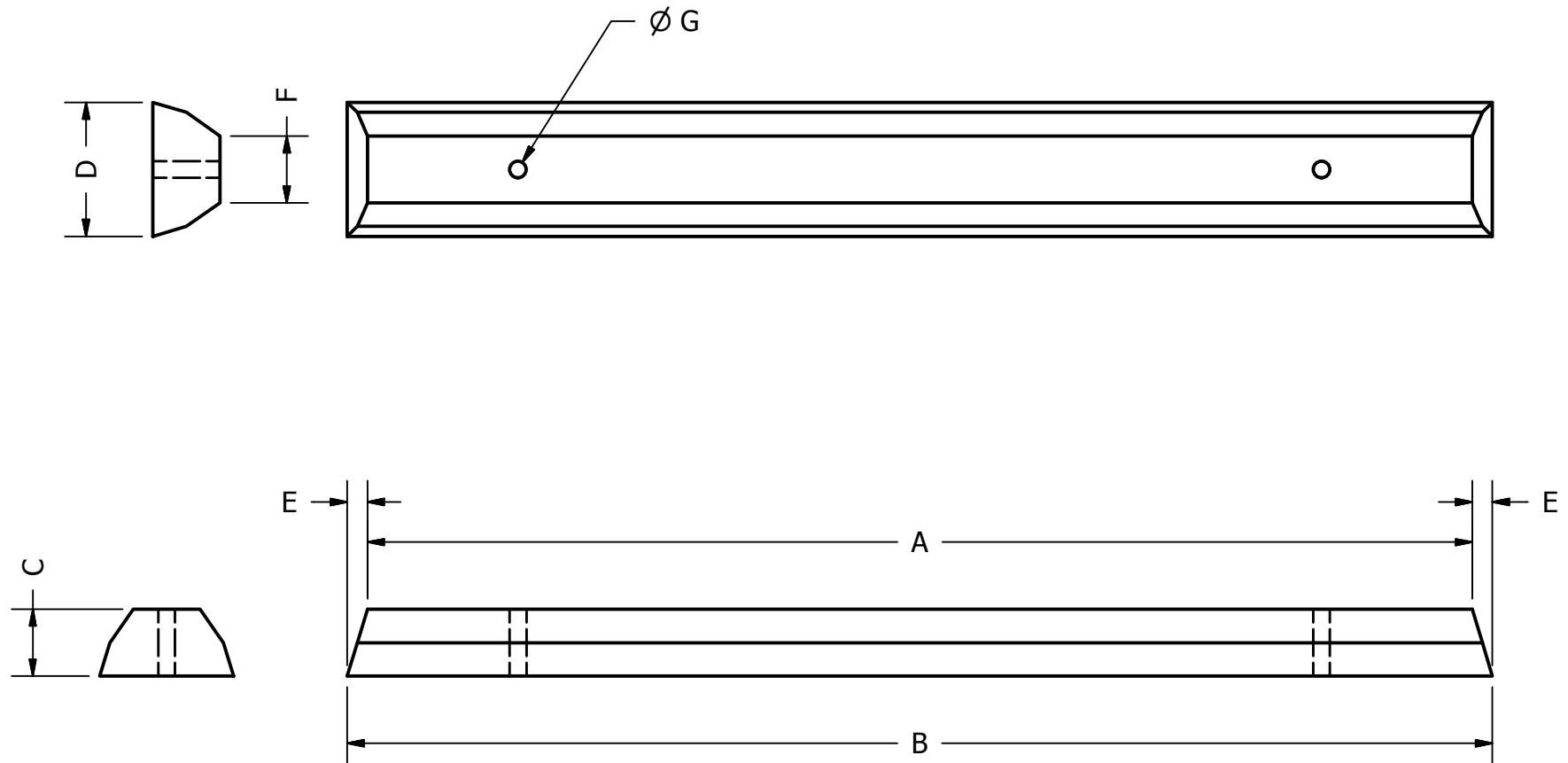
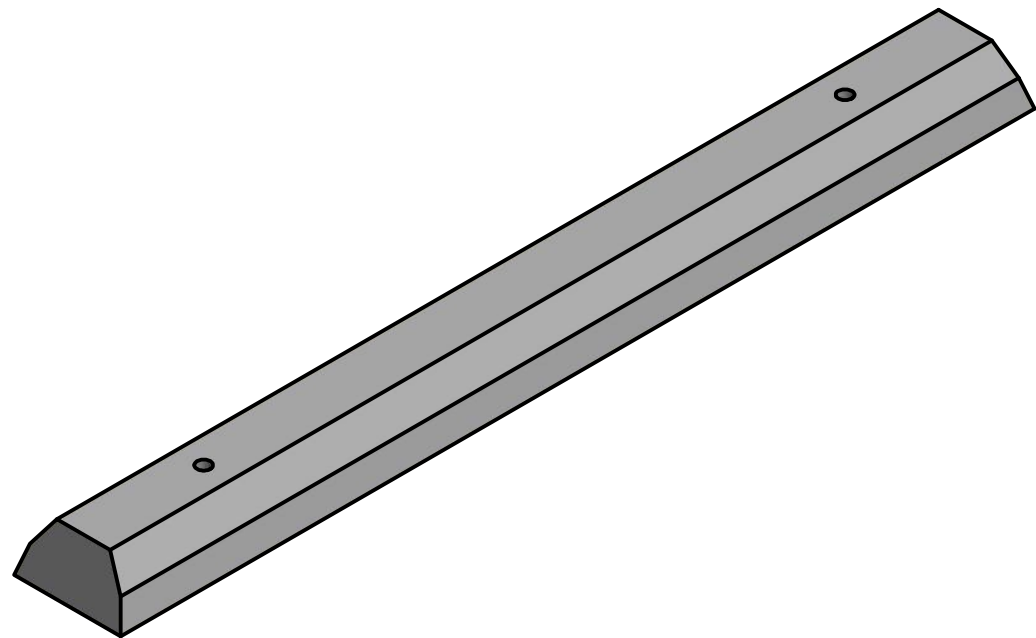


# ACP Sales Pty Ltd

## The Precast Concrete Specialists



PRODUCT DETAILS AND DIMENSIONS								
PRODUCT CODE	Wt. Kg	A	B	C	D	E	F	G
CS1600	67	1650	1710	100	200	30	100	25
CS200	82	2000	2060	100	200	30	100	25

ALL THE PRECAST ELEMENTS MANUFACTURED UNDER AS 3850:2015  
 ALL DETAILS IN THIS DRAWING IS COPY RIGHTED  
 ALL DIMENSIONS ARE IN MM, UNLESS OTHERWISE NOTED

### Construcion Materials

- Strength 40Mpa @ 28 Days
- Max. Aggregate Size Is 20mm
- Sand, Washed Sand
- Cement 400Kg/ Cubic Mtr
- Reinforcement N12 bars around the perimeter, as required

ACP SALES PTY LTD			
TITLE			
CAR STOP			
SIZE	DWG NO	REV	
A3	ACP SALES - CAR STOP	A	
SCALE	SHEET 1 OF 1		
1 : 10			