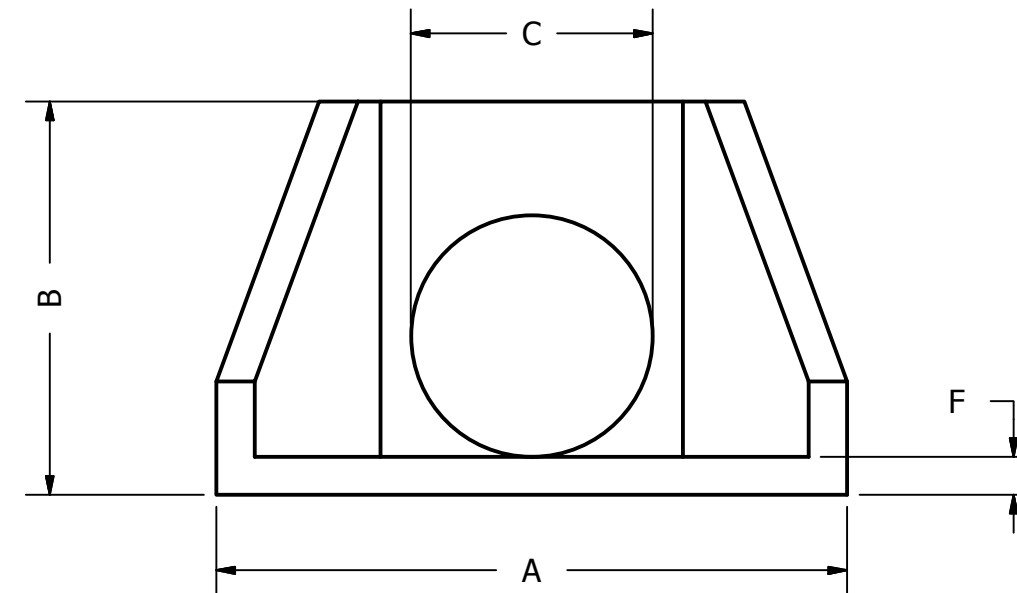
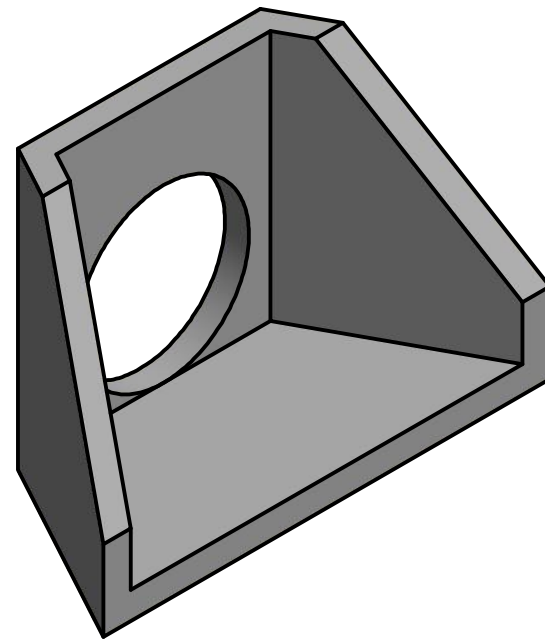
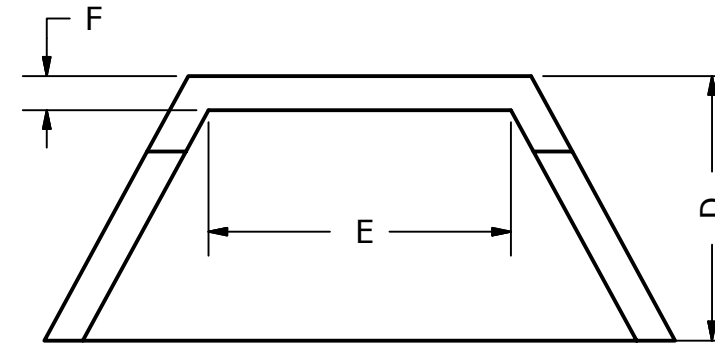


ACP Sales Pty Ltd

The Precast Concrete Specialists



PRODUCT DETAILS AND DIMENSIONS							
PRODUCT CODE	Wt. Kg	A	B	C	D	E	F
HW100	41	800	350	120	250	300	50
HW150	38	800	350	200	250	300	50
HW225	435	1575	695	305	640	740	80
HW300	428	1575	695	385	640	740	80
HW375	418	1575	695	455	640	740	80
HW450	403	1575	900	545	640	740	80
HW525	553	1700	1040	630	690	800	100
HW600	553	1700	1040	720	690	800	100
HW675	1208	2020	1410	785	1010	1200	100
HW750	1170	2020	1410	905	1010	1200	100
HW825	1155	2020	1410	950	1010	1200	150
HW900	1113	2020	1410	1070	1010	1200	150
HW1200	2540	3415	1670	1385	1620	1515	150

ALL THE PRECAST ELEMENTS MANUFACTURED UNDER AS 3850:2015

Construcion Materials

- Strength 40Mpa @ 28 Days
- Max. Aggregate Size Is 20mm
- Sand, Washed Sand
- Cement 400Kg/ Cubic Mtr
- Reinforcement N12 bars around the perimeter, as required

ALL DETAILS IN THIS DRAWING IS COPY RIGHTED
ALL DIMENSIONS ARE IN MM, UNLESS OTHERWISE NOTED

ACP SALES PTY LTD			
TITLE			
HW(100-1200)			
SIZE	DWG NO	REV	
A3	ACP SALES - HEAD WALL	A	
SCALE	1 / 20	SHEET 1 OF 1	