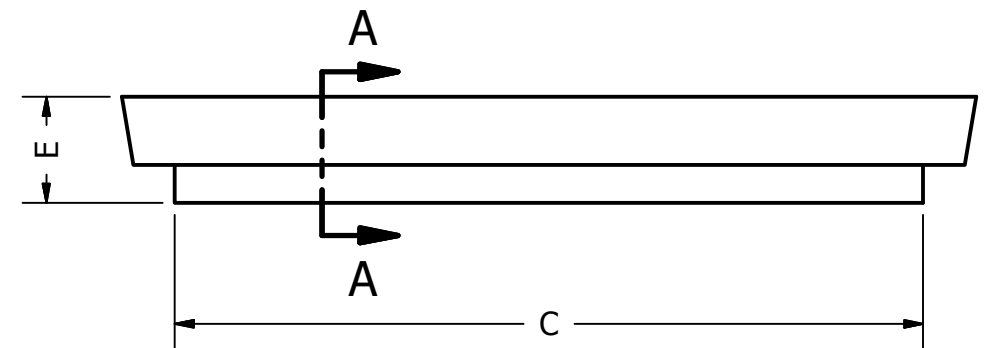
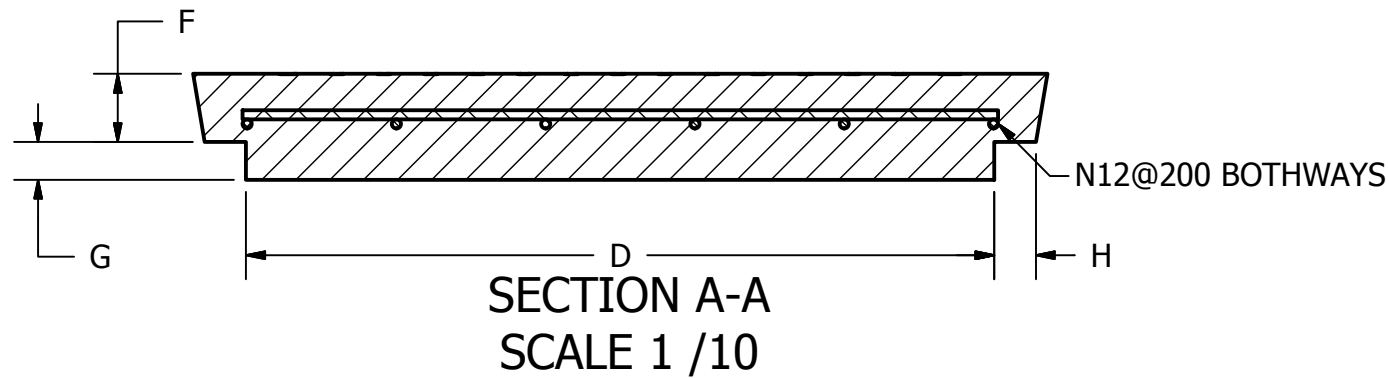
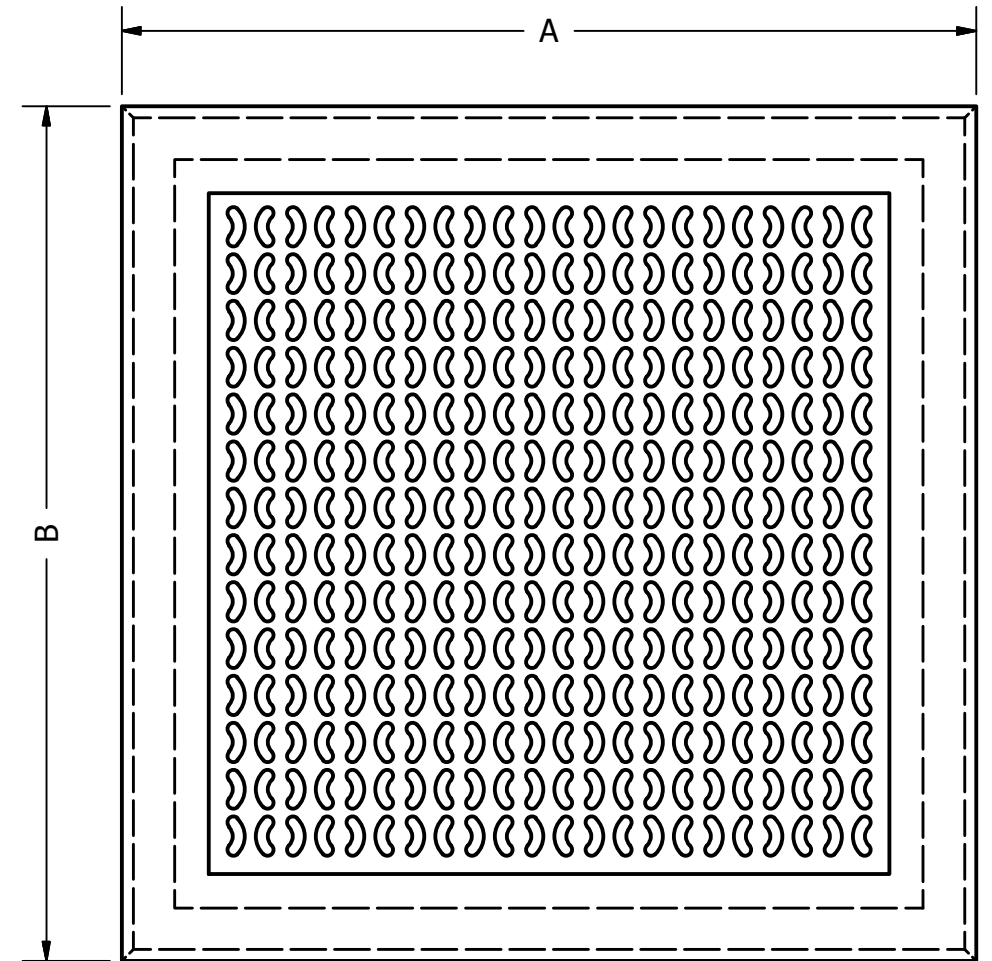
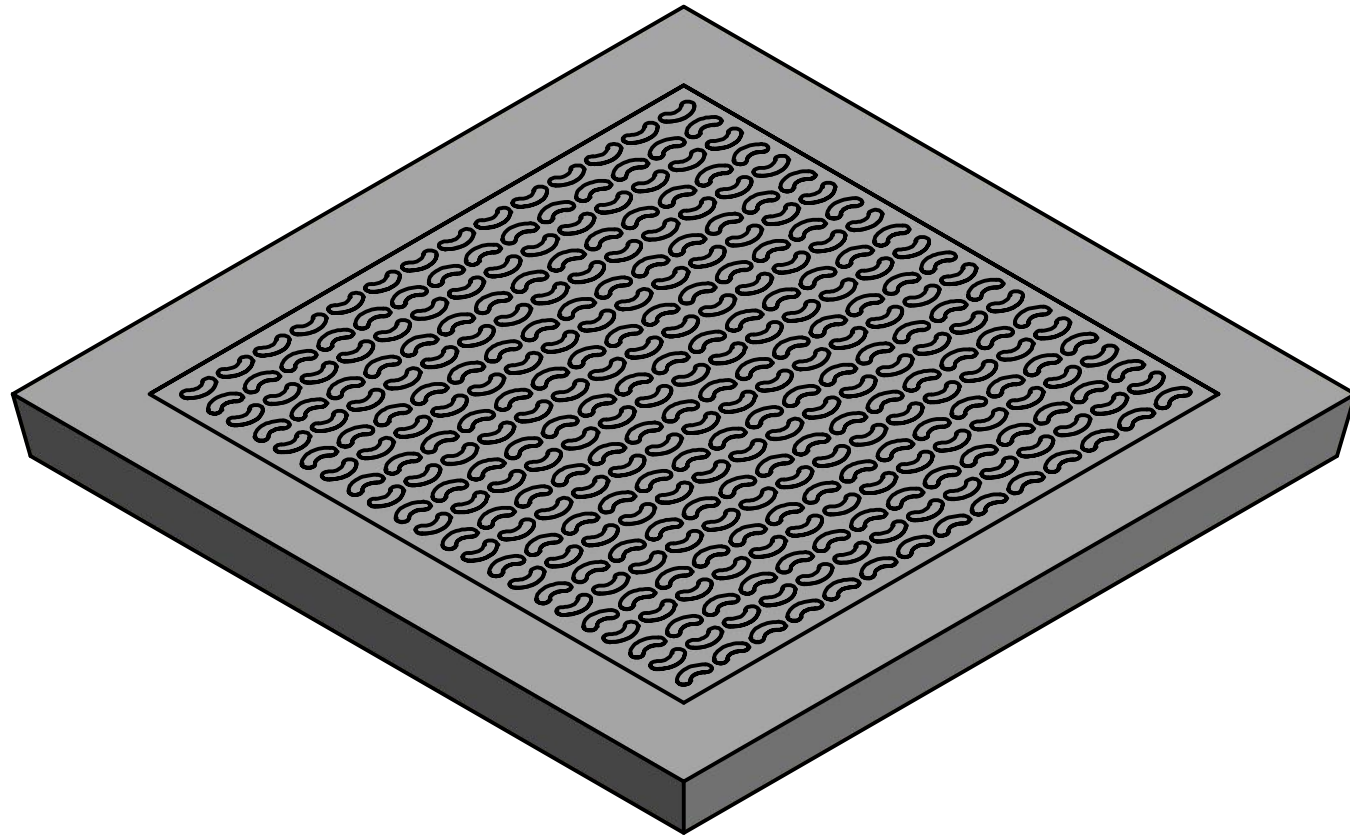


ACP Sales Pty Ltd

The Precast Concrete Specialists

ALL DETAILS IN THIS DRAWING IS COPY RIGHTED
ALL DIMENSIONS ARE IN MM, UNLESS OTHERWISE NOTED



PRODUCT DETAILS AND DIMENSIONS									
PRODUCT CODE	Wt. Kg	A	B	C	D	E	F	G	H
L44H	76	650	650	490	490	100	50	50	50
L66H	184	800	800	690	690	100	50	50	50
L96H	263	1100	800	990	690	100	50	50	50
L99H	375	1100	1100	990	990	100	50	50	50

Construcion Materials

- Strength 40Mpa @ 28 Days
- Max. Aggregate Size Is 20mm
- Sand, Washed Sand
- Cement 400Kg/ Cubic Mtr
- Reinforcement N12 bars around the perimeter, as required

ALL THE PRECAST ELEMENTS MANUFACTURED UNDER AS 3850:2015

ACP SALES PTY LTD		
TITLE		
LIDS - HEAVY DUTY		
SIZE	DWG NO	REV
A3	ACP SALES - LIDS	A
SCALE	SHEET 1 OF 1	
1 / 10		