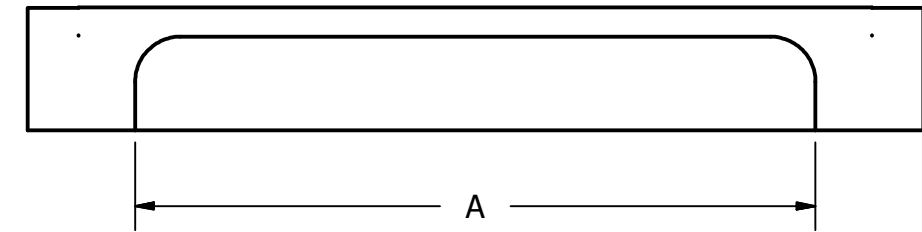
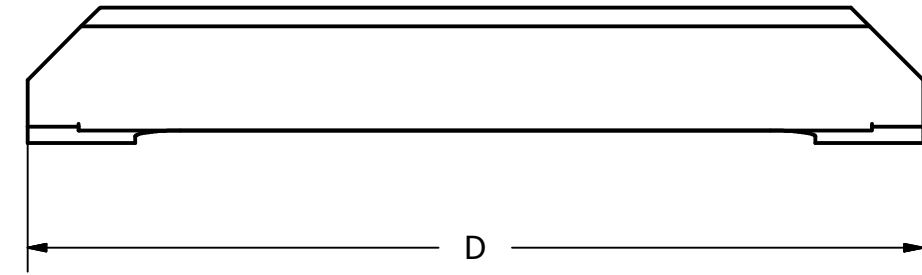
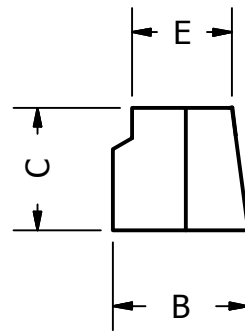
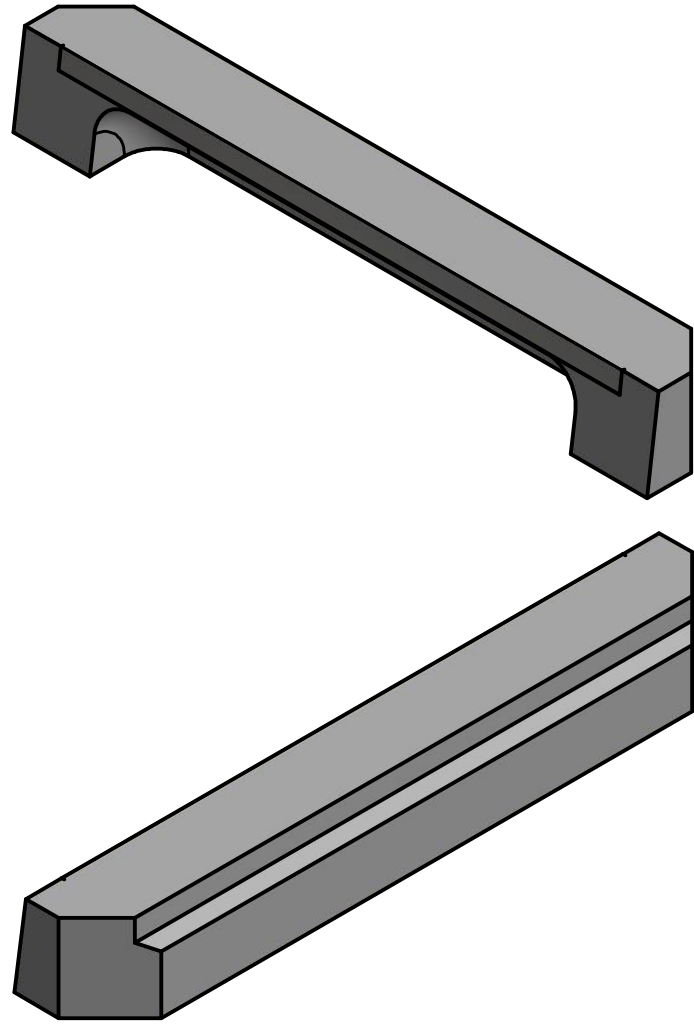


ACP Sales Pty Ltd

The Precast Concrete Specialists



| PRODUCT DETAILS AND DIMENSIONS | | | | | | |
|--------------------------------|--------|------|-----|-----|------|-----|
| PRODUCT CODE | Wt. Kg | A | B | C | D | E |
| LINTEL900 | 275 | 900 | 358 | 324 | 1470 | 315 |
| LINTEL1200 | 320 | 1200 | 358 | 324 | 1770 | 315 |
| LINTEL1800 | 405 | 1800 | 358 | 324 | 2370 | 315 |
| LINTEL2400 | 495 | 2400 | 358 | 324 | 2970 | 315 |
| LINTEL3000 | 585 | 3000 | 358 | 324 | 3570 | 315 |

ALL DETAILS IN THIS DRAWING IS COPY RIGHTED
ALL DIMENSIONS ARE IN MM, UNLESS OTHERWISE NOTED

| | | | |
|-------------------|--------------------|--------------|--|
| ACP SALES PTY LTD | | | |
| TITLE | | | |
| LINTEL 1200-2400 | | | |
| SIZE | DWG NO | REV | |
| A3 | ACP SALES - LINTEL | A | |
| SCALE | 1 / 20 | SHEET 1 OF 1 | |

Construcion Materials

- Strength 40Mpa @ 28 Days
- Max. Aggregate Size Is 20mm
- Sand, Washed Sand
- Cement 400Kg/ Cubic Mtr
- Reinforcement N12 bars around the perimeter, as required

ALL THE PRECAST ELEMENTS MANUFACTURED UNDER AS 3850:2015,
ARE RATED TO CLASS D TO AS 3996-2006 AND IN ACCORDANCE TO AS/NZS 3500.3:2015