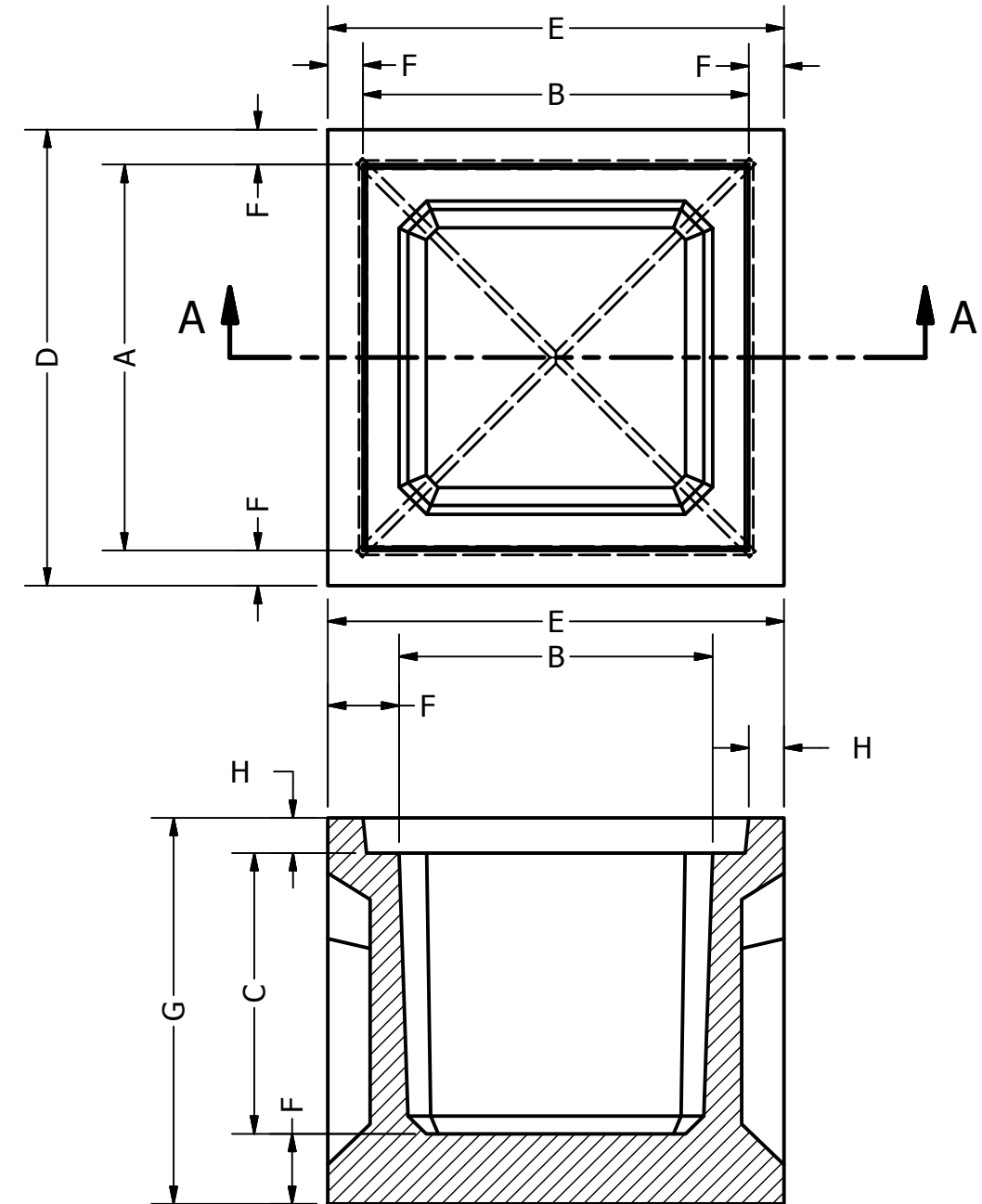
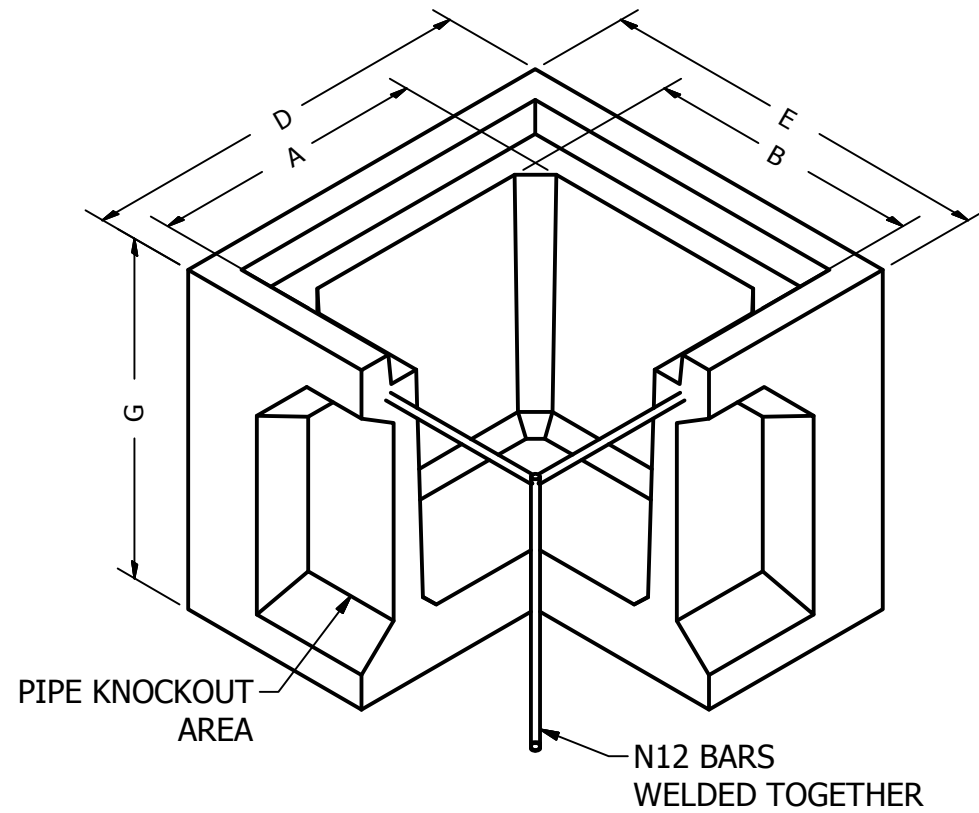


ACP Sales Pty Ltd

The Precast Concrete Specialists



SECTION A-A
SCALE 1 / 10

ALL DETAILS IN THIS DRAWING IS COPY RIGHTED
ALL DIMENSIONS ARE IN MM, UNLESS OTHERWISE NOTED

PRODUCT DETAILS AND DIMENSIONS									
PRODUCT CODE	Wt. Kg	A	B	C	D	E	F	G	H
P444	353	450	450	400	650	650	100	550	50
P446	435	450	450	600	650	650	100	750	50
P664	475	600	600	450	800	800	100	600	50
P666	580	600	600	600	800	800	100	750	50
P667	685	600	600	750	800	800	100	900	50
P669	790	600	600	900	800	800	100	1050	50
P966	730	900	600	600	1100	800	100	750	50
P969	985	900	600	900	1100	800	100	1050	50
P996	903	900	900	600	1100	1100	100	750	50
P997	1050	900	900	750	1100	1100	100	900	50
P999	1200	900	900	900	1100	1100	100	1050	50
P991050	1210	900	900	1050	1100	1100	100	1200	50
P12126	1270	1200	1200	600	1400	1400	100	750	50
P12129	1660	1200	1200	900	1400	1400	100	1050	50
P121212	2050	1200	1200	1200	1400	1400	100	1350	50
P15159	3440	1500	1500	900	1800	1800	150	1700	75
P151515	4900	1500	1500	1500	1800	1800	150	1700	75

ALL THE PRECAST ELEMENTS MANUFACTURED UNDER AS 3850:2015,
ARE RATED TO CLASS D TO AS 3996-2006 AND IN ACCORDANCE TO AS/NZS 3500.3:2015

Construction Materials

- Strength 40Mpa @ 28 Days
- Max. Aggregate Size Is 20mm
- Sand, Washed Sand
- Cement 400Kg/ Cubic Mtr
- Reinforcement N12 bars around the perimeter, as required

ACP SALES PTY LTD		
TITLE		
PITS (P444 - P151515)		
SIZE	DWG NO	REV
A3	ACP SALES - PITS	A
SCALE	SHEET 1 OF 1	
1 / 10		