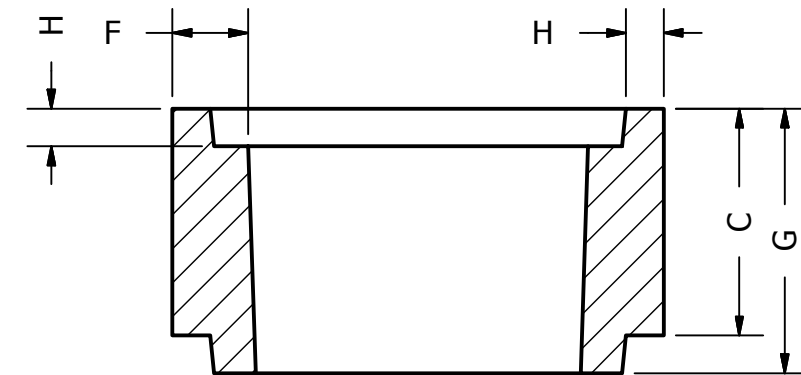
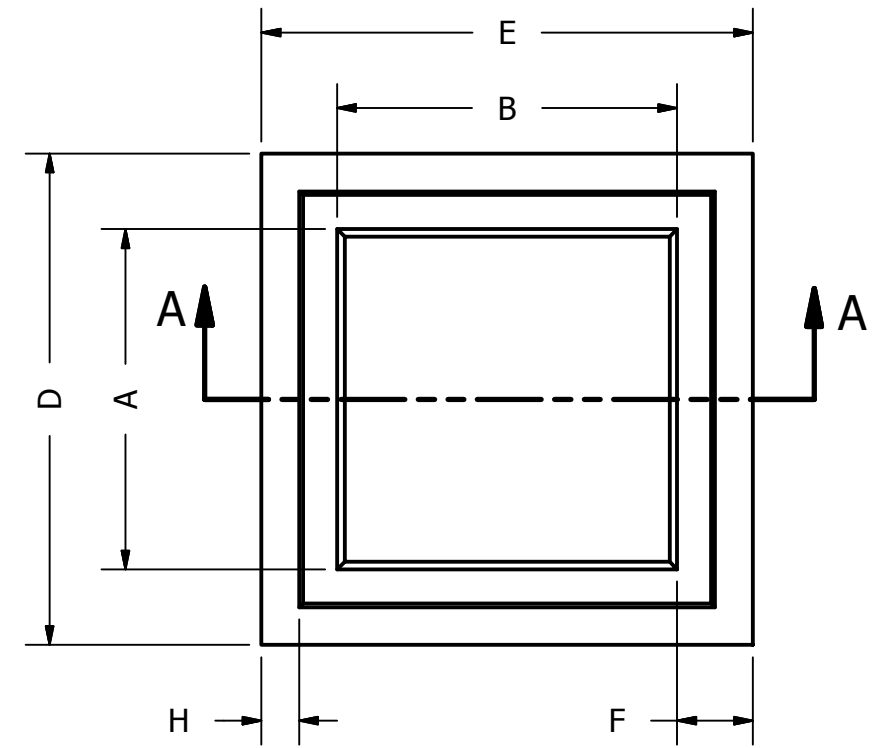
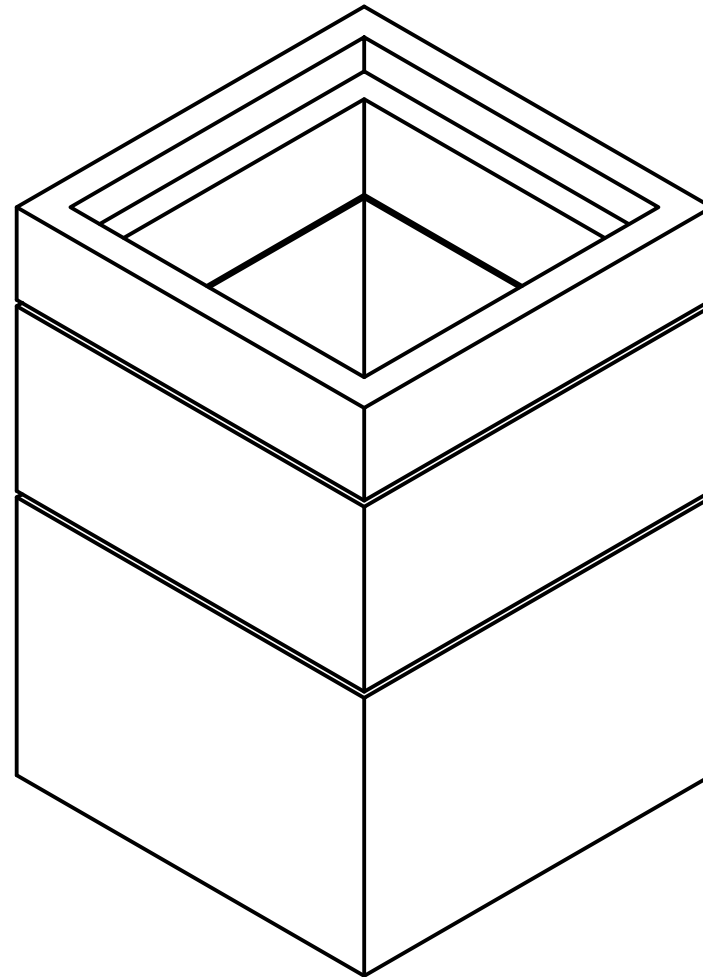
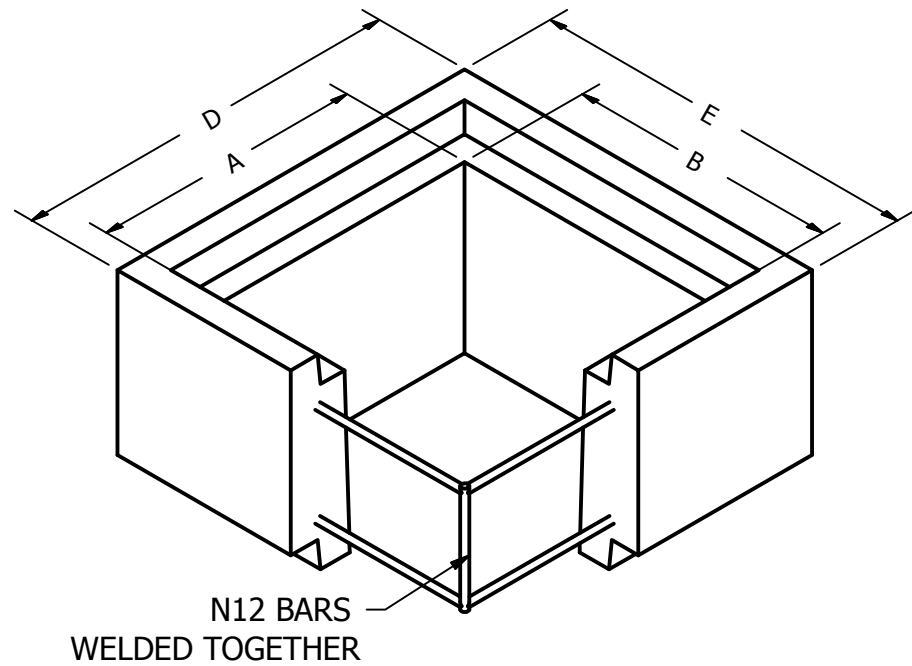


ACP Sales Pty Ltd

The Precast Concrete Specialists



SECTION A-A
SCALE 1 / 10

PRODUCT DETAILS AND DIMENSIONS									
PRODUCT CODE	Wt. Kg	A	B	C	D	E	F	G	H
R4415	83	450	450	150	650	650	100	200	50
R443	165	450	450	300	650	650	100	350	50
R444	248	450	450	450	650	650	100	500	50
R6615	105	600	600	150	800	800	100	200	50
R663	210	600	600	300	800	800	100	350	50
R664	315	600	600	450	800	800	100	500	50
R666	420	600	600	600	800	800	100	650	50
R9615	128	900	600	150	1100	800	100	200	50
R963	255	900	600	300	1100	800	100	350	50
R966	510	900	600	600	1100	800	100	650	50
R969	765	900	600	900	1100	800	100	950	50
R9915	150	900	900	150	1100	1100	100	200	50
R993	300	900	900	300	1100	1100	100	350	50
R996	600	900	900	600	1100	1100	100	650	50
R997	750	900	900	750	1100	1100	100	800	50
R999	900	900	900	900	1100	1100	100	950	50
R991050	1100	900	900	1050	1100	1100	100	1100	50
R121215	304	1200	1200	150	1400	1400	100	200	50
R12123	604	1200	1200	300	1400	1400	100	350	50
R12126	1215	1200	1200	600	1400	1400	100	650	50
R12129	1823	1200	1200	900	1400	1400	100	950	50
R121212	2430	1200	1200	1200	1400	1400	100	1250	50
R15153	570	1500	1500	300	1800	1800	150	350	75
R15159	2228	1500	1500	900	1800	1800	150	950	75
R151515	3713	1500	1500	1500	1800	1800	150	1550	75

Construction Materials

- Strength 40Mpa @ 28 Days
- Max. Aggregate Size Is 20mm
- Sand, Washed Sand
- Cement 400Kg/ Cubic Mtr
- Reinforcement N12 bars around the perimeter, as required

ALL THE PRECAST ELEMENTS MANUFACTURED UNDER AS 3850:2015, ARE RATED TO CLASS D TO AS 3996-2006 AND IN ACCORDANCE TO AS/NZS 3500.3:2015

ALL DETAILS IN THIS DRAWING IS COPY RIGHTED
ALL DIMENSIONS ARE IN MM, UNLESS OTHERWISE NOTED

ACP SALES PTY LTD			
TITLE			
RISERS (R4415 - R151515)			
SIZE	DWG NO	REV	
A3	ACP SALES - RISERS	A	
SCALE	SHEET 1 OF 1		
1 / 10			